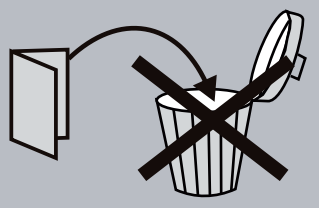
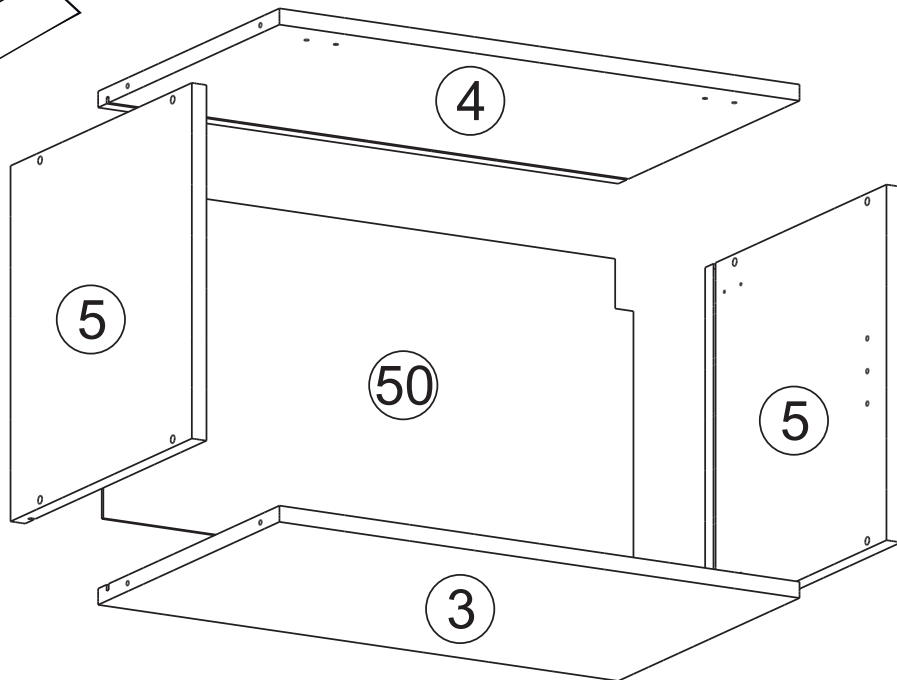
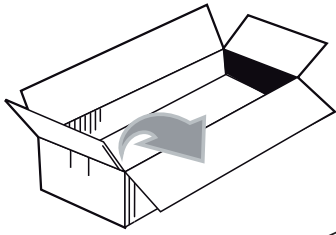




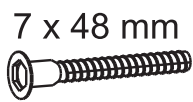
H50/35\_H60/35\_H80/35\_H90\_35





# N° 312

A x8



7 x 48 mm

B x8



C x1



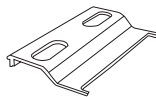
D x1



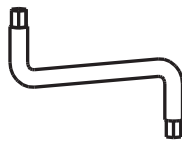
E x4



F x2



G x1



H x1

